



EB

Manual Empty Bag “EB”

The manual empty bag station series EB is Plantech-CST’s modular solution to open and discharge bags.

The discharge station can handle various sizes of bags containing free flowing and poor flowing products using the appropriate discharge hopper and flow aid.



PRINCIPLE OF OPERATION

The empty bag station series is ergonomically designed with a wide feeding door. After opening the sealed door, the bag is manually opened on a grid while a fan and filter system remove the dust to avoid leakages in to the external area. The dust on the filter is discharged back into the hopper when the door is closed through a compressed air pulsation system. For non-dusty materials the filter and fan unit is not installed.

MAIN FEATURES

MODULAR DISCHARGE HOPPERS

Installed below the discharging grid is a hopper with a design based on the flowability of the product being emptied.

- Standard hopper for free flowing products
- Flat bottomed hopper with incorporated agitator
- Hopper with bin activator
- Hopper with fluidization nozzles and pneumatic or electro-pneumatic vibrator

BIG-BAG UNLOADING

If required, the empty bag station EB can be equipped with a connection to discharge big bags also.

WEIGHING SYSTEM

If required, the empty bag station EB can be installed with load cells for the weighing of the material.

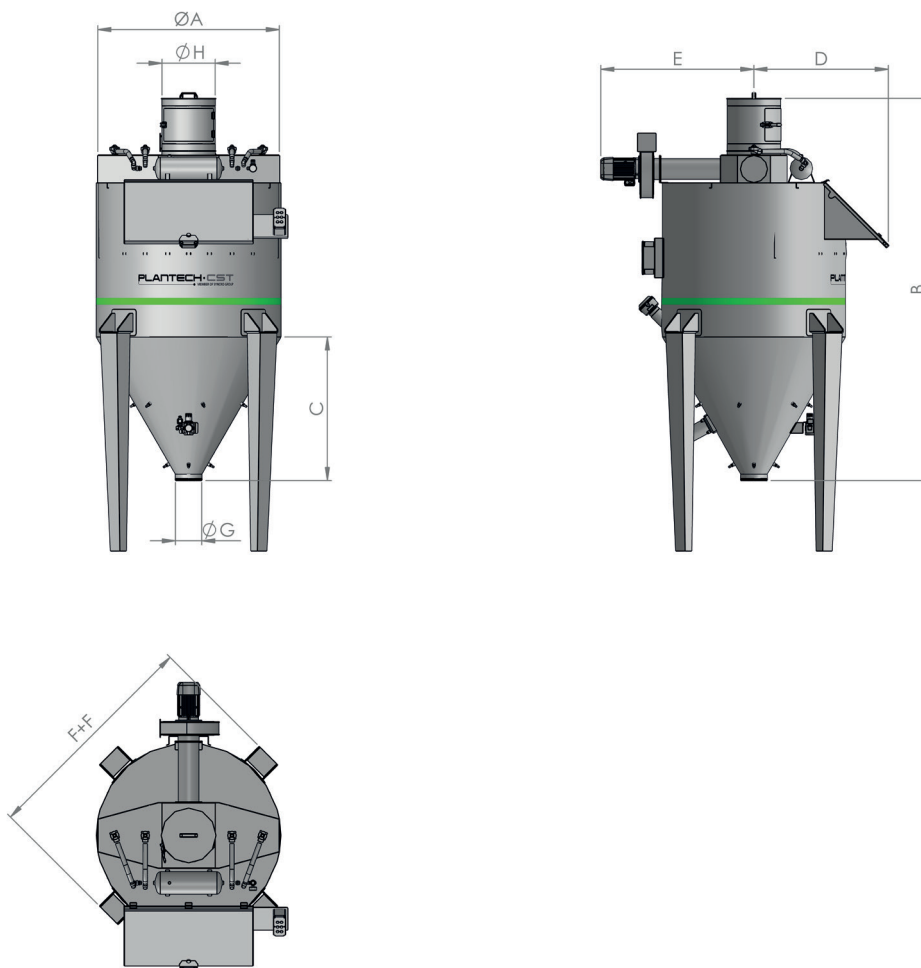
INSTALLATIONS

The empty bag station EB is always supplied pre-assembled and prewired with junction boxes (when electrical device are installed) to allow for an easy and fast installation.

OPTIONS AVAILABLE

As an option, the empty bag station EB can be designed ATEX compliant and/or FDA compliant.

TECHNICAL DATA



Code	Hopper capacity [dm ³]	Power [kW]	ØA [mm]	B [mm]	C [mm]	D [mm]	E [mm]	F x F [mm]	G [mm]	ØH [mm]
EB300	300	1,5	1000	2006	740	675	970	1305	1070	/
EB600	600	1,5	1000	2306	740	675	970	1305	1070	/
EB1500	1500	1,5	1400	2720	1005	950	1170	1705	1070	400